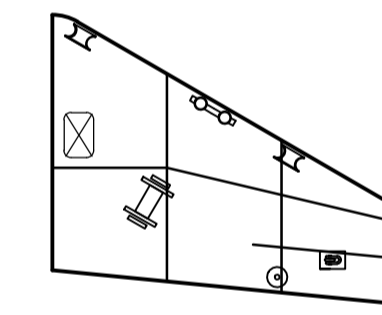


SECTION

DECK LINE

0,896 m
Summer draught 2,37 m



LIGHT SHIP WEIGHT 0.71 MT

LOADING SCALE - VIRKE							
Freeboard in metres	Mean draught Bok	Salt water $\rho=1,025$		Density $\rho=1,020$ $\rho=1,015$ $\rho=1,010$ $\rho=1,005$	Fresh water $\rho=1,000$		Freeboard in metres
		Displacement	Deadweight		Deadweight	Displacement	
0,5	2,8	3750	3000	3000	3750	2,8	0,5
0,6	2,7	3500	2750	2750	3500	2,7	0,6
0,7	2,6	3250	2500	2500	3250	2,6	0,7
0,8	2,5	3000	2250	2250	3000	2,5	0,8
0,9	2,4	2750	2000	2000	2750	2,4	0,9
1,0	2,3	2500	1750	1750	2500	2,3	1,0
1,1	2,2	2250	1500	1500	2250	2,2	1,1
1,2	2,1	2000	1250	1250	2000	2,1	1,2
1,3	2,0	1750	1000	1000	1750	2,0	1,3
1,4	1,9	1500	750	750	1500	1,9	1,4
1,5	1,8	1250	500	500	1250	1,8	1,5
1,6	1,7	1000	250	250	1000	1,7	1,6
1,7	1,6	750	0	0	750	1,6	1,7
1,8	1,5	500			500	1,5	1,8
1,9	1,4	250			250	1,4	1,9
2,0	1,3	0			0	1,3	2,0
2,1	1,2					1,2	2,1
2,2	1,1					1,1	2,2
2,3	1,0					1,0	2,3
2,4	0,9					0,9	2,4
2,5	0,8					0,8	2,5
2,6	0,7					0,7	2,6
2,7	0,6					0,6	2,7
2,8	0,5					0,5	2,8

PERMISSIBLE LOADS		
LOAD CASE	MAX. PERM. LOAD	DIM. PART
ANYWHERE ON ELEVATED DECK	9.9 TONNES /m2	PLATE
ANYWHERE ON DECK #4-#104		
INSIDE LBH 3480 OFF CL.	11.4 TONNES /m2	BUCKLING
ANYWHERE ON DECK #4-#104		
OUTSIDE LBH 3480 OFF CL.	12.5 TONNES /m2	LONGITUDINALS
EVEN DISTRIBUTION: TRV. WEB	26.0 TONNES /m.	BUCKLING
EVEN DISTRIBUTION: BHD.	82.1 TONNES /m.	WELD
POINT LOAD: ON DECK BTW #4-#104	9.5 TONNES **	PLATE THICKN.
POINT LOAD: ELEVATED DECK	3.5 TONNES **	PLATE THICKN.
POINT LOAD: ANYWHERE ON WEB	24.6 TONNES **	WELD
POINT LOAD: ANYWHERE ON BULKHEAD	24.6 TONNES **	WELD
POINT LOAD: BULKHEAD/ WEB	39.0 TONNES **	WELD/PL. TH.
POINT LOAD: BULKHEAD/ BULKHEAD	49.3 TONNES **	PLATE THICKN.

** = ASSUMED PRINT: 300x300mm.
EVERY OTHER LOADCASE
TO BE CONSIDERED SPECIALLY.

MAIN DIMENSIONS:

LENGTH OVER ALL 72,0 m
BREADTH MOULDED 20,0 m
DEPTH MOULDED 3,25 m
DRAUGHT MOULDED 2,37 m
DEAD WEIGHT 2430 tonnes
CAPACITY 4100 m³

"VIRKE III"
ALL TANKS ARE VOIDS AND CANNOT
BE USED FOR BALLAST



YARD:	DATE:	DATE:	SCALE:
	2014-06-30		1:150
DRWN:	MAK	CHECKED:	
TITLE: VIRKE III GENERAL ARRANGEMENT CAPACITY PLAN			
DWG NO:	14231-3-152-03	SHEET:	NO. OF SHEETS: 4
		ISSUE:	D

Skal Hedarna 100
SE-453 92 Lysekil
Sweden
Tel: +46 (0)523 66 07 45
Fax: +46 (0)523 66 07 22
E-mail: info@sandinge.com
Web: www.sandinge.com