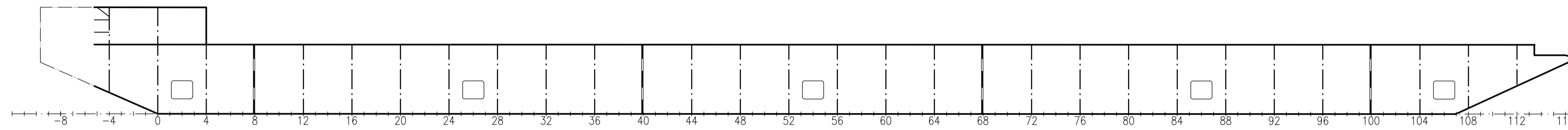
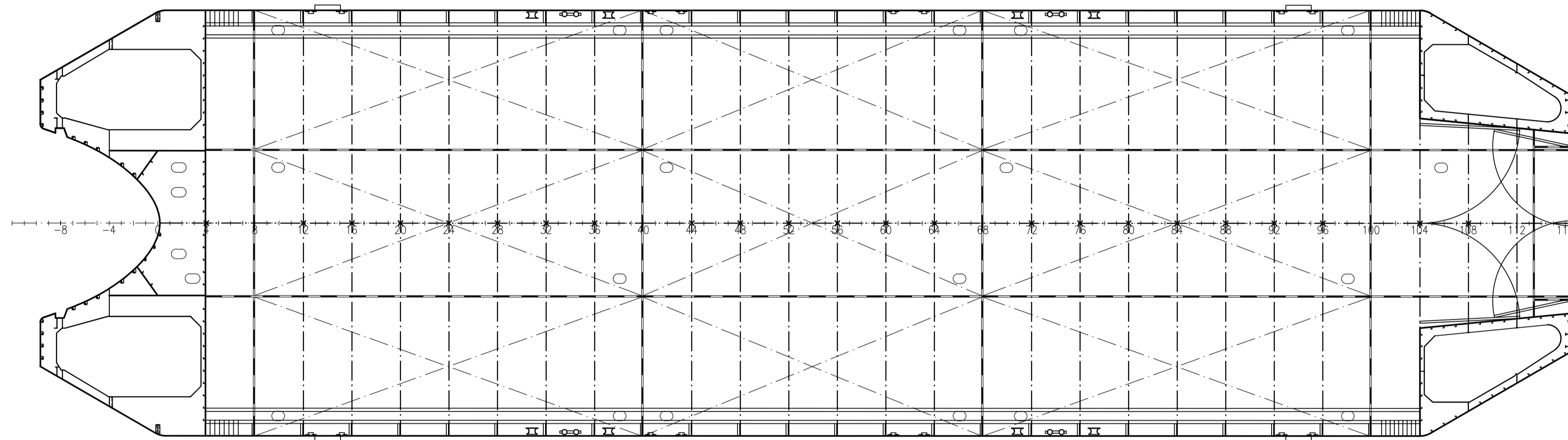


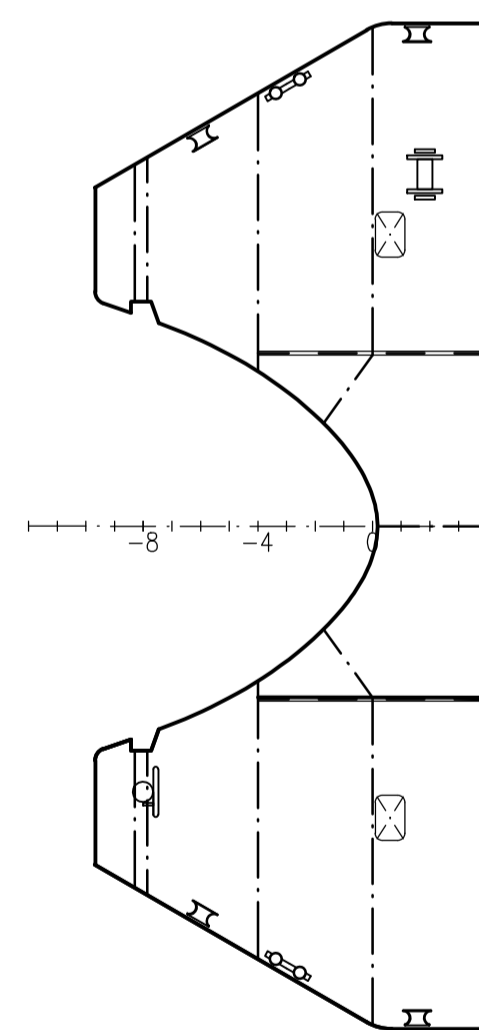
SIDE VIEW



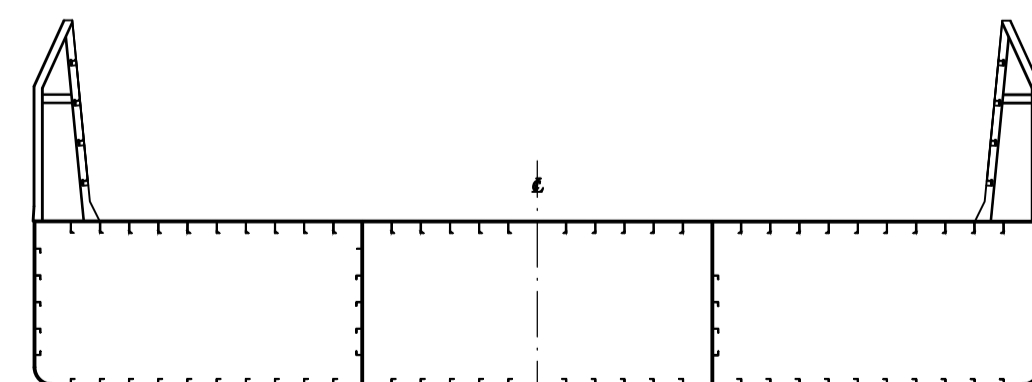
VIEW ON LONGITUDINAL BULKHEAD PORTSIDE



VIEW ON DECK



VIEW ON ELEVATED DECK

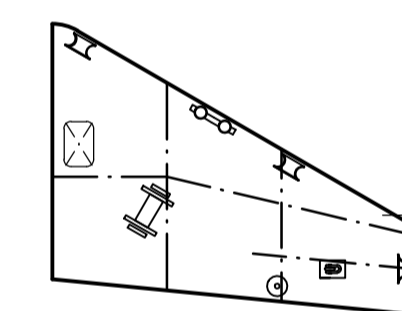


SECTION

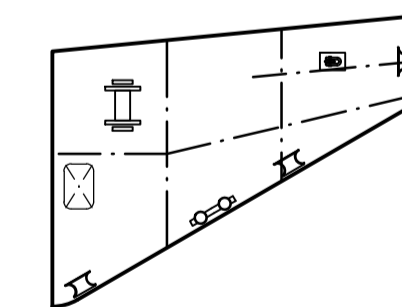
DECK LINE

0,896 m

Summer draught 2,37 m



LIGHT SHIP WEIGHT 0.71 MT



LOADING SCALE - VIRKE							
Freeboard in metres	Mean draught Bok	Salt water $\rho=1,025$		Density $\rho=1,020$ $\rho=1,015$ $\rho=1,010$ $\rho=1,005$	Fresh water $\rho=1,000$		Freeboard in metres
		Displacement	Deadweight		Deadweight	Displacement	
0,5	2,8	3750	3000	3000	3750	2,8	0,5
0,6	2,7	3650	2900	2850	3550	2,7	0,6
0,7	2,6	3550	2800	2750	3450	2,6	0,7
0,8	2,5	3450	2700	2650	3350	2,5	0,8
0,9	2,4	3350	2600	2550	3250	2,4	0,9
1,0	2,3	3250	2500	2400	3150	2,3	1,0
1,1	2,2	3150	2400	2300	3050	2,2	1,1
1,2	2,1	3050	2300	2200	2950	2,1	1,2
1,3	2,0	2950	2200	2100	2850	2,0	1,3
1,4	1,9	2850	2100	2000	2750	1,9	1,4
1,5	1,8	2750	2000	1900	2650	1,8	1,5
1,6	1,7	2650	1900	1800	2550	1,7	1,6
1,7	1,6	2550	1800	1700	2450	1,6	1,7
1,8	1,5	2450	1700	1600	2350	1,5	1,8
1,9	1,4	2350	1600	1500	2250	1,4	1,9
2,0	1,3	2250	1500	1400	2150	1,3	2,0
2,1	1,2	2150	1400	1300	2050	1,2	2,1
2,2	1,1	2050	1300	1200	1950	1,1	2,2
2,3	1,0	1950	1200	1100	1850	1,0	2,3
2,4	0,9	1850	1100	1000	1750	0,9	2,4
2,5	0,8	1750	1000	900	1650	0,8	2,5
2,6	0,7	1650	900	800	1550	0,7	2,6
2,7	0,6	1550	800	700	1450	0,6	2,7
2,8	0,5	1450	700	600	1350	0,5	2,8

PERMISSIBLE LOADS		
LOAD CASE	MAX. PERM. LOAD	DIM. PART
ANYWHERE ON ELEVATED DECK	9.9 TONNES /m2	PLATE
ANYWHERE ON DECK #4-#104		
INSIDE LBH 3480 OFF CL.	11.4 TONNES /m2	BUCKLING
ANYWHERE ON DECK #4-#104		
OUTSIDE LBH 3480 OFF CL.	12.5 TONNES /m2	LONGITUDINALS
EVEN DISTRIBUTION: TRV. WEB	26.0 TONNES /m.	BUCKLING
EVEN DISTRIBUTION: BHD.	82.1 TONNES /m.	WELD
POINT LOAD: ON DECK BTW #4-#104	9.5 TONNES **	PLATE THICKN.
POINT LOAD: ELEVATED DECK	3.5 TONNES **	PLATE THICKN.
POINT LOAD: ANYWHERE ON WEB	24.6 TONNES **	WELD
POINT LOAD: ANYWHERE ON BULKHEAD	24.6 TONNES **	WELD
POINT LOAD: BULKHEAD/ WEB	39.0 TONNES **	WELD/PL. TH.
POINT LOAD: BULKHEAD/ BULKHEAD	49.3 TONNES **	PLATE THICKN.

** = ASSUMED PRINT: 300x300mm.
EVERY OTHER LOADCASE
TO BE CONSIDERED SPECIALLY.

MAIN DIMENSIONS:

LENGTH OVER ALL 72,0 m
BREADTH MOULDED 20,0 m
DEPTH MOULDED 3,25 m
DRAUGHT MOULDED 2,37 m
DEADWEIGHT 2430 tonnes
CAPACITY 4100 m³

"VIRKE IV"
ALL TANKS ARE VOIDS AND CANNOT
BE USED FOR BALLAST

Sandinge Bogsering & Sjötransport
Skal Hedarna 100
SE-453 92 Lysekil
Sweden
Tel: +46 (0)523 66 07 45
Fax: +46 (0)523 66 07 22
E-mail: info@sandinge.com
Web: www.sandinge.com

YARD:	DATE:	DATE:	SCALE:
	2014-06-30		1:150
DRAWN:	MAK	CHECKED:	
TITLE: VIRKE IV GENERAL ARRANGEMENT CAPACITY PLAN			
DWG NO:	14231-3-152-04	SHEET:	NO. OF SHEETS: ISSUE:
		4	C